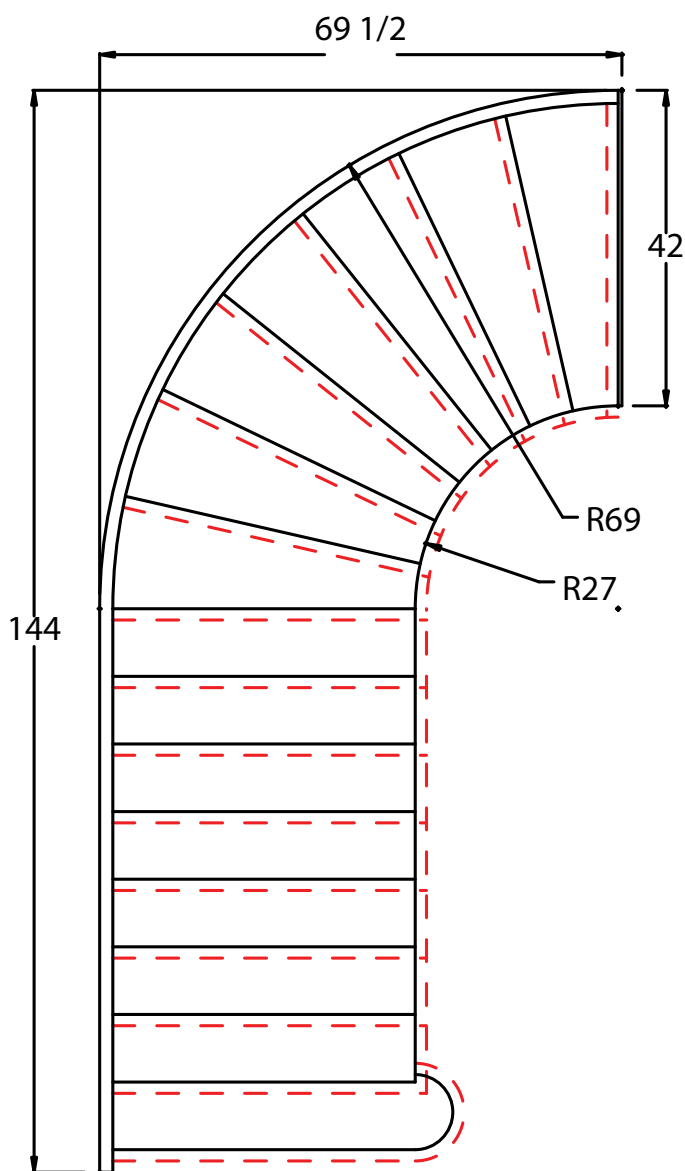


PS1-16-R

Closed 1 side, open 1 side, 1 round tread



Red lines indicate the edge of the tread bullnose. Black lines indicate the outside face of the stringers and riser lines.